



UNI-BRAINS CO., LTD.

TEL : +86 755 61519320 FAX : +86 755 61519331

www.uni-brains.com.tw & www.nigogo.com.tw & www.uni-brains.com & www.nigogo.com
Factory: 10F, HuaXia Hi-Tech Industrial Park, JinCheng Road, ShaJing Town, BaoAn District, ShenZhen city, China

Portable GPS Tracker

USER MANUAL

For models:GT-95A (built-in Emap version)

GT-95B (w/o Emap, Google link version)





Chapter 1 Preface

1-1、 Introduction

1-2、 Notice

- 1-2-1、 GPS position error
- 1-2-2、 Emergency contacts
- 1-2-3、 SMS/MMS report delay
- 1-2-4、 Password management
- 1-2-5、 Maintenance
- 1-2-6、 For your safety
- 1-2-7、 Special Notice

1-3、 Safety and product Information

Chapter 2 Getting to know your GPS Tracker

2-1、 Features

2-2、 Specifications

2-3、 Keys and Indicators

Chapter 3 Start-up

3-1、 Inserting SIM card and Battery

3-2、 Charging the battery

Chapter 4 Setting your GPS Tracker

4-1、 Start the PC software

4-2、 Personal Setting

4-3、 Phone Setting

4-4、 Geo fence Setting

4-5、 Report Setting

4-6、 Service Center

Chapter 5 Operating the device

5-1、 Turn on

5-2、 Turn off

5-3、 Call pick up

5-4、 Call hang up

5-5、 Making a phone call



UNI-BRAINS CO., LTD.

TEL : +86 755 61519320 FAX : +86 755 61519331

www.uni-brains.com.tw & www.nigogo.com.tw & www.uni-brains.com & www.nigogo.com
Factory: 10F, HuaXia Hi-Tech Industrial Park, JinCheng Road, ShaJing Town, BaoAn District, ShenZhen city, China

- 5-6、 Adjusting the volume**
- 5-7、 Ringtone or Vibrating alert**
- 5-8、 SOS function**
- 5-9、 Low battery alerts**

Chapter 6 Tracking/Setting your GPS Tracker through authorized mobile

Chapter 7 Q&A



Chapter 1 Preface

1-1 Introduction

GPS Tracker enable you to know where your cared ones are all the times. User friendly, easy to management.

- Easy to use. Suitable for kids and elders
- Compact size. Fashion look.
- Regular report function. You always know
- Voice guide, tracking and setting can be done through both calling and SMS
- POI reference report (SMS); Position indicated by Map(MMS)
- SOS function, calls and SMS will all be triggered when emergency to protect your cared ones

1-2 Notice

1-2-1 GPS position error

All GPS has some position error, the reference positions indicated by GPS Tracker are for your reference only, may also have errors.

The reference positions types :

- 1.Real time position : When GPS under good signal.
- 2.Last recorded position : When GPS in bad signal, the last recorded position information will be send under request.

1-2-2 Emergency contacts

Please set the emergency contacts according to priority when first use.

After setting, GPS Tracker will send an SMS to emergency contacts to double confirm.

1-2-3 SMS/MMS report delay

SMS/MMS report may delay during grand holidays (Christmas, New year etc.) caused by data overflow in carrier sides.

1-2-4 Password management

GPS Tracker is designed to be use to connect you with your cared ones. In order to protect user privacy, a password is required in setting related movement.

©Default Password©

The default password of GPS Tracker is 『 0000 』 , Please change the password once you get the device.

©Changing your password regularly©

1-2-5 Maintenance



Your GPS Tracker contains sensitive electronic components that should be handled carefully. Obey the following directions to meet guarantee requirements.

- Keep the device dry. Rain drops, humidity and all sorts of liquids may be a cause of corrosion of electricity chains. If the device got wet, take out the battery and let the device get fully dry, then handle to your local dealer.
- Do not use or keep the device in dusty and dirty places. Its moving and electronic parts may be damaged.
- Keep the device out of high temperatures.
- Do not try opening the device except as specified in this User Manual.
- Do not throw, knock or shake the device, by handing it this way you may break internal circuit boards.
- Use supplied or approved batteries and accessories only when it needs to be changed
- The chargers must be used indoors only.

1-2-6 FOR YOUR SAFETY

For your safety consideration, please follow all usage restrictions to wireless equipment. Pay special attention to read the following situation. In disregarding them you may face danger or trespassing of existing laws.

- SWITCH OFF IN THE MEANS OF TRANSPORT

Follow all restrictions. Wireless equipment may cause disturbances in air traffic.

- SWITCH OFF IN HOSPITALS

Follow all restrictions. You might need to switch off when being in the vicinity of any medical equipment.

- SWITCH OFF WHEN FUELING

Do not use the device in petrol stations. Do not use it in the vicinity of fuels or chemicals.

1-2-7 Special Notice

- GPS Tracker is designed to connect you with your cared ones, the company assume no liability or responsibility for any behaviors violate other individuals' privacy.
- All rights reserved. Information in this document is subject to change without notice.
- All the locations and emergency information provided by GPS Tracker is for your reference, there may be delays caused by telecom carrier at certain circumstance.



Our company is exemption from liability to security of person and property.

- Don't subscribe to any value added service in consider for your rate.

1-3 Safety and Product Information

This device complies with Part 15 of the FCC Rules. Operation is subject to the following two conditions:(1) this device may not cause harmful interference, and (2) this device must accept any interference received, including interference that may cause undesired operation.

Federal Communication Commission Interference Statement

This equipment has been tested and found to comply with the limits for a Class B digital device, pursuant to Part 15 of the FCC Rules. These limits are designed to provide reasonable protection against harmful interference in a residential installation.

This equipment generates, uses and can radiate radio frequency energy and, if not installed and used in accordance with the instructions, may cause harmful interference to radio communications. However, there is no guarantee that interference will not occur in a particular installation. If this equipment does cause harmful interference to radio or television reception, which can be determined by turning the equipment off and on, the user is encouraged to try to correct the interference by one of the following measures:

- Reorient or relocate the receiving antenna.
- Increase the separation between the equipment and receiver.
- Connect the equipment into an outlet on a circuit different from that to which the receiver is connected.
- Consult the dealer or an experienced radio/TV technician for help.

FCC Caution: Any changes or modifications not expressly approved by the party responsible for compliance could void the user's authority to operate this equipment.

This device complies with Part 15 of the FCC Rules. Operation is subject to the following two conditions: (1) This device may not cause harmful interference, and (2) this device must accept any interference received, including interference that may cause undesired operation.

This device and its antenna(s) must not be co-located or operating in conjunction with any other antenna or transmitter.

**Chapter 2 Features and Specifications****2-1、Features**

- Voice communication
- Geo fence function
- Regular report function
- Previous settings inquiry function (with authorized No.)
- Position report (SMS with reference POI, MMS with Map)
- Power on/Power off notification
- Voice monitor function (with authorized No.)
- SOS function
- Voice guide function
- Access control
- Inquiring, setting through SMS
- Configuration changing Notification
- Low battery alerts

2-2、Specification

GPS receiver	M-Star P2 GPS engine board
GPS antenna	Internal
GSM frequencies	GSM 900/1800/1900 MHz or 850/1800/1900 MHz(option)
G-Sensor	Built-in 3-Axis G-sensor
Voice calls	Yes
Vibrating alerts	Yes
Geo fence function	Yes
Data transfer	SMS, MMS or GPRS
Connect to a PC	USB
Configuration	SMS, Voice call or USB
Internal Memory	Micro SD card
Buttons	7
LED indicators	4 (SOS, Power, GSM, GPS)
Battery	3.7V, 650mAh Lithium (1300mAh option)
Dimensions(mm)	65 x 43 x 19
Weight	< 60g
Standby time (GPS off, GSM on)	60hrs
Working time (GPS always on, GSM on)	12hrs
Period report (GSM on, GPS on/off)	36hrs
Recommended operating temperature	0℃-50℃
General operating temperature	-20℃-60℃

2-3、Keys and Indicators



Led Indicators		Power		GSM/GPRS		GPS		SOS
Color		Green	Red	Green	Red	Blue	Red	Red
Power	On							
	Low		Blink					
	Battery is charging		On					
	Battery fully charged (Charger plugged in)	On						
GSM/GPRS	Uninstall SIM card				Red			
	GSM out of service				Blink			
	GSM in service			Blink				
	GSM/GPRS in use			Fast Blink				
GPS	GPS off					Off		
	GPS fixing						Blink	
	GPS fixed					Blink		
SOS	In SOS status							Fast Blink
Call	Incoming call	Scroller 1						

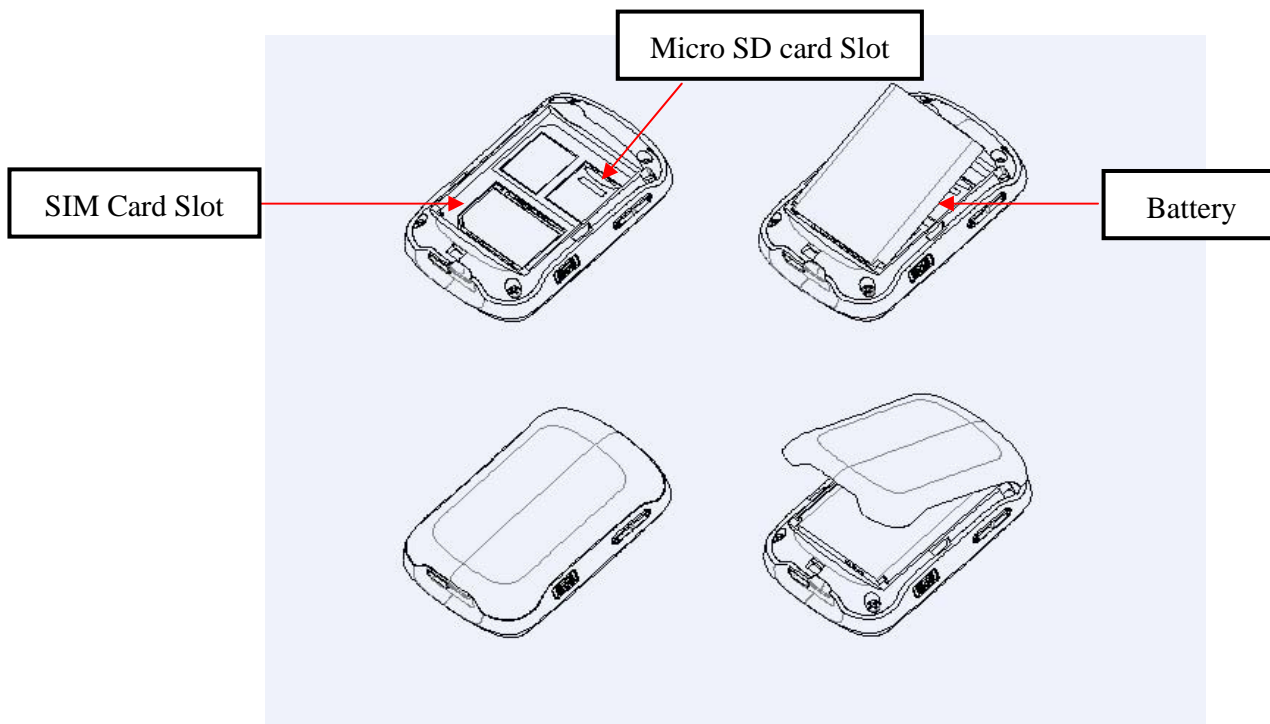
	on call		Fast Blink				
SD card	SD card error	Fast Blink					

Chapter 3 Start-up

3-1、 Inserting SIM card and battery

All SIM cards must be kept in a save place. You may request your SIM card supplier to provide SIM card and information about the use of SIM card-related services. The supplier may be a service supplier, a network operator or another seller. The SIM card must be inserted in the way as set below.

NOTE: The SIM card should be password free, otherwise it will fail to function in GPS Tracker.



Note: Before removing the cover, switch off the device and disconnect it from the charger or PC. The device must be always kept and used with a cover and screwed tightly.

3-2、 Charging the battery

Before you can use the GPS Tracker, you must fully charge the battery. By connecting the device to one of the USB connectors of a PC or by using the INPUT 120-230V, OUTPUT 5V charger available in the set, it is possible to charge the internal battery of your GPS Tracker. For the first time, it is advised to charge the battery using the charger (not via PC) for about 8 hours.

Chapter 4 Setting your GPS Tracker

4-1、 Start the PC software

Power off your GPS Tracker before connect with your computer. The removal disk will show up in your computer. Find the file named TrackTool.

Double click the  icon to run the tracktool.

Important Notice: *The files in the T-card are very important for your usage of GPS Tracker, please back up the files in T-card once you start use in case it deleted or damaged when use improperly.*



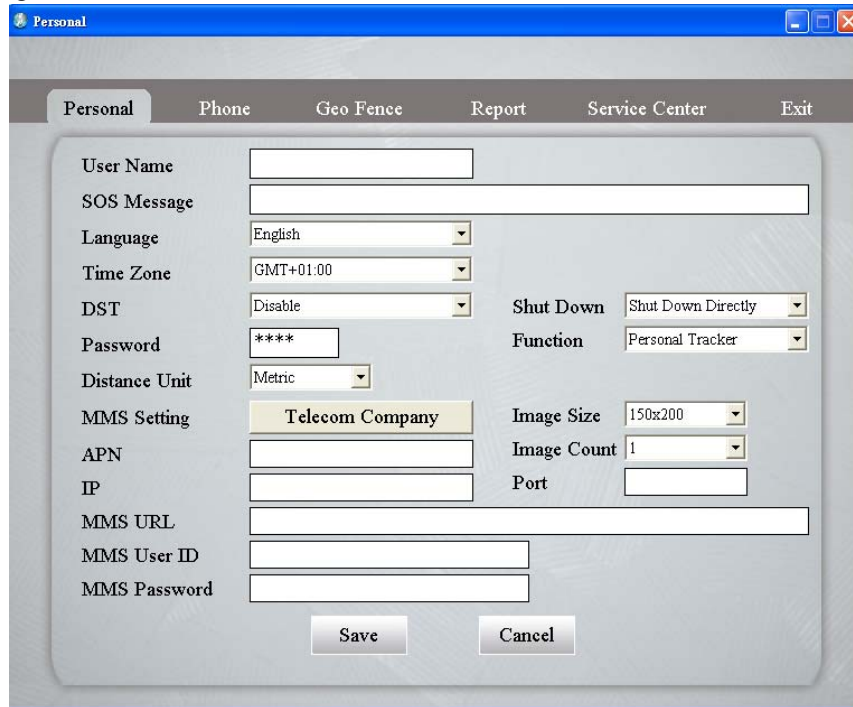
4-2、 Personal Setting

Click the Setup Device button to enter setup mode. Access Password will be required.

The default password of GPS Tracker is 『0000』



The personal setting interface is as blow.



User name: User of GPS Tracker

SOS message: Message for emergency use can be set here. When SOS button be triggered, a SMS with pre-set content here+location information will be sent to emergency contacts.

Language: The language of voice guiding system can be set here.

Time Zone: Setting Time Zone here.

DST: Setting Day light saving here.

Password: In order to protect privacy, password is required when changing settings though both PC and authorized mobile.

The default password 『0000』 can be changed here.

Shutdown: The machine can be shut down directly or to be shut down with permission of authorized Mobile.

Personal Tracker or Car mode:

The radius of Geo fence4 is 300 meters in personal Tracker mode.

Geo fence4: Vibration alert in car mode . SMS Report position per minute.

Distance Unit: Distance Unit can be set here.

MMS setting: Please contact your local carrier for MMS setting related information.

For your operation convenience, you can add related MMS setting in this telecom company list by adding setting information to file X:/TrackTool/MMS.



The format should be is as below:

[Name of your Telecom Company]

APN=

IP=

PORT=

URL=

USERID=

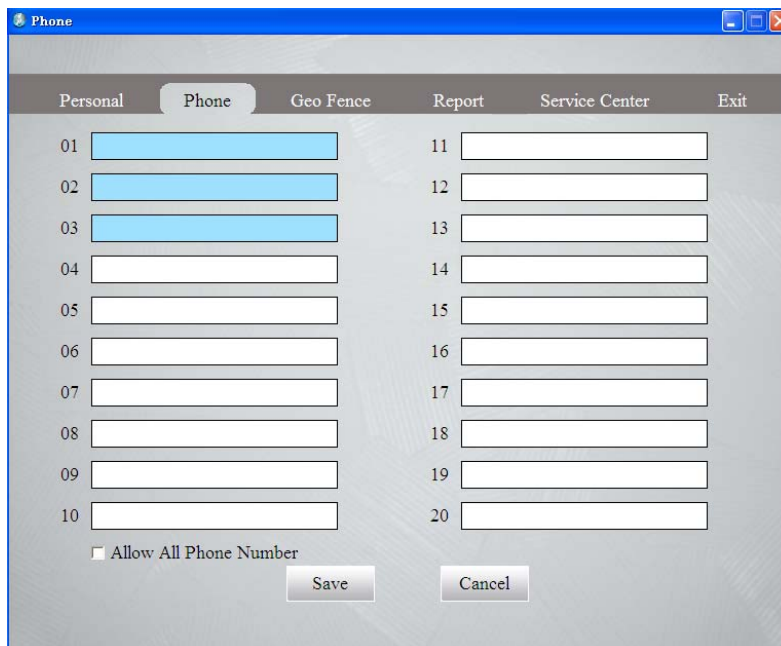
PASSWORD=

Please special attention to MMS Setting, MMS can't work normally without correct setting.

The Mobile should also support MMS function; otherwise it can not get the MMS sent by GPS Tracker.

4-3、 Phone Setting

The phone setting interface is as below:



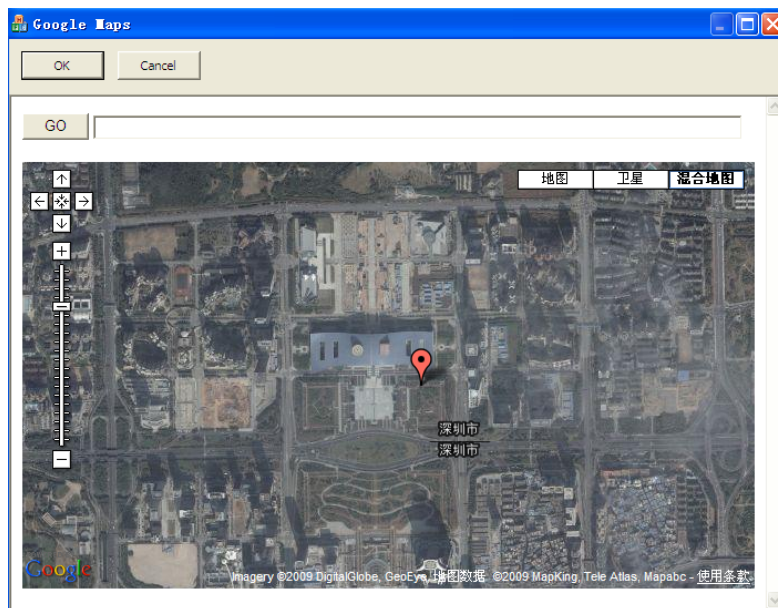
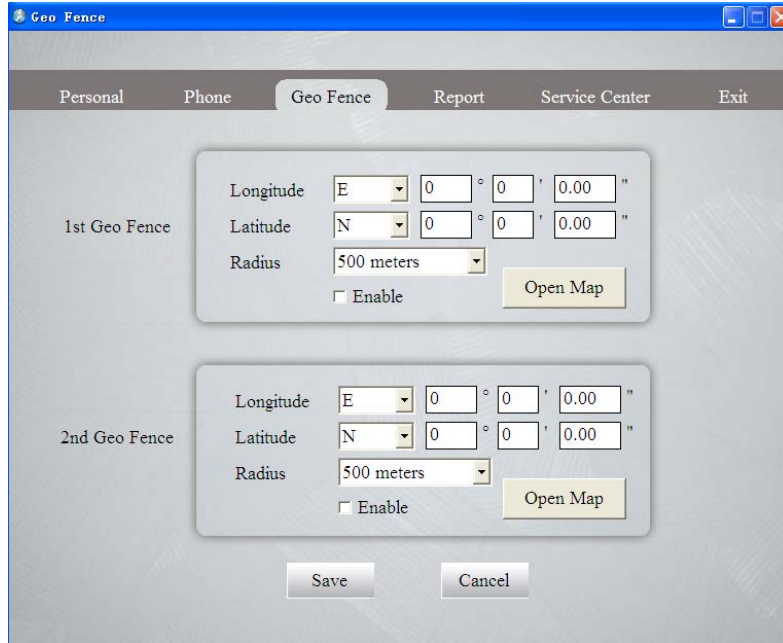
In order to protect privacy, you can choose **20 phone number** to be authorized number which can accessible to GPS Tracker. (You can also choose to **Allow All Phone Number**. Those not listed can only call in, and GPS Tracker can pick up as normal phone.)

The **No. 1, 2, 3** are **speed dial No.s** which indicated as emergency contacts. Please set these **3 No.** according to the priority.

4-4、Geo fence Setting

GPS Tracker supports 4 sets of Geo fence.

- Geo fences 1&2 are “regular” Geo fences (eg. “home”, “school”), fill in related longitude, latitude in Geo Fence setting interface to set or open Map to set.



NOTE:

In Some countries, the longitude, latitude information of a place indicated in Google map is not accurate, may have big error from actual location. The information in Google Earth is more accurate. Therefore, when setting the Geo fence please also consult Google Earth. (Google Map is the product of Google.)

Different bound can be set by choosing between different **Radius**.

Both in and out of the fence will be report to emergency contacts.

(Geo fences 1& 2 can only be set through PC. Enable and Disable both by PC and authorized mobile.)

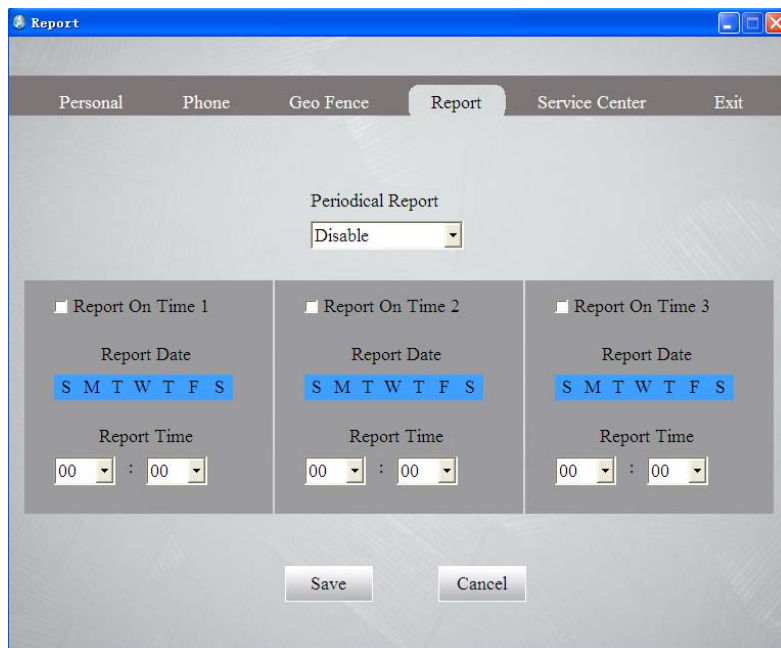
- Gen fence 3 are causal one, which suitable to use in park/outside/playground. Out of Geo fence 3 will be reported.

(Geo fence 3 can only be set and canceled through authorized mobile by SMS or call.)

- Gen fence 4 is for parking, double click Power button to Start/Cancel. Out of Geo fence 4 will be reported every 1 minute through SMS.

(Geo fence 4 can be set and canceled through authorized mobile by SMS or call.)

4-5、 Report Setting



Periodical report can be set here. (disable, 1-120minutes)

Report on Time function supports 4 sets reports on pre-set time of a day. Report on Time 4 is for causal use, only effect for 24 hours. GPS Tracker will report position to emergency contacts No.1 on pre-set time.

- **Report on Time 1, 2 & 3 can only be set through PC. Enable and Disable both by PC and authorized mobile.**
- **Report on Time 4 can be set and canceled through authorized mobile.**



4-6、 Service Center(**Service Center is for online support service Only**)

The service center interface is as below, please contact your service provider for related information.

Service Center

Personal Phone Geo Fence Report Service Center Exit

Report Interval 60 Seconds

APN

GPRS User ID

GPRS Passowrd

Protocol TCP/IP

IP

Port

User ID

Password

Enable

Save Cancel



Chapter 5 Operating the device

5-1、 Turn on

When the device is off, press the power button for 2 seconds to turn on the device.

5-2、 Turn off

Under Shut Down Directly mode: Press the power button of a power on machine for 3 seconds to turn off.

Under SMS for Shut Down mode: Press the power button of a power on machine for 3 seconds, a SMS require for turn off will be send to emergency contacts, GPS Tracker will be turn off with the permission of Contact No.1.

5-3、 Call pick up

Press any key (except SOS and power button) to pick up an incoming call.

5-4、 Call hang up

Press power button to hang up.

5-5、 Making a phone call

To dial emergency contacts No.1, 2, 3, press speed dial button 3 times in 1 second.

5-6、 Adjusting the volume

Press volume button “+” to volume up and “-”down when on the phone (7 levels adjustable)

5-7、 Ringtone or Vibrating alert

Press volume bottons “+” and “-” to adjust the volume of ringtone when GPS Tracker has an incoming call. 7 level volume adjustable, the lowest one is silent.

Vibrating is on all the time.

The adjustment of ringtone will be automatically saved.

5-8、 SOS function

Press SOS button for 3 seconds, the SOS mode will be triggered. GPS Tracker will call 3 emergency contacts in turn. SOS messages with pre-set content + position information will be sent to all 3 emergency contacts.

In occasion when GPS in bad signal, a message with 【the previous position】 will be sent to emergency contacts

5-9、 Low battery alerts

When battery is less than 10%, the Power indicator will turn red and blink; A message of low battery warning will be sent to emergency contact No. 1.

GPS Tracker will turn off without warning emergency contacts when the battery ran out.



Chapter 6 Tracking/Monitoring/Setting your GPS Tracker through authorized mobile

GPS Tracker has a powerful system to enable tracking/ monitoring/ setting through authorized mobile.GPS Tracker saving you from commands memorization with a user friendly voice guide system.

So, sending the commands through SMS, or follow the voice instruction, the tracking/monitoring/setting of your GPS Tracker can be done.

Below is the instruction of how to connect you with your cared one through mobile all the time.

Category	Call/SMS commands	Item	Remark
Inquiry	1#	Position inquiry	Report through SMS
	2#	Position inquiry	Report through MMS
	3#(call only)	Position inquiry	Report through voice (this function just supports the map with Chinese or English version)
	4#	Position inquiry	SMS with URL Link to Google Map (non eMap version)* Note
	5#	Inquiry for emergency contacts	Inquiry for current No. of 3 emergency contacts of GPS Tracker, report through SMS under following format iKey1 zzzzzzzzzz iKey2 zzzzzzzzzz iKey3 zzzzzzzzzz
	6#	Inquiry for Current Status	The report of current status of GPS Tracker will be send through SMS. With following information. Battery status (%) : T-Card Space available: Geo fence 1 status (on/off) : Geo fence 2 status (on/off) : Geo fence 3 status (on/off) : Report on time 1 status: (on + time /off) Report on time 2 status: (on + time /off) Report on time 3 status: (on + time /off) Report on time 4 status: (on + time /off) Periodical report status : (on + time /off) Version:



UNI-BRAINS CO., LTD.

TEL : +86 755 61519320 FAX : +86 755 61519331

www.uni-brains.com.tw & www.nigogo.com.tw & www.uni-brains.com & www.nigogo.com
 Factory: 10F, HuaXia Hi-Tech Industrial Park, JinCheng Road, ShaJing Town , BaoAn District , ShenZhen city, China

	8#	Inquiry for Commands List	The commands list will be sent through SMS
	100#	Password inquiry	The current Password will be send to emergency contact No. 1 through SMS
	999#	IMEI inquiry	Report IMEI number through SMS
	000#	T-Card ID	Report T-Card ID through SMS
Setting	666#	Remote PowerOff	Response 666# to re-confirm GPS Tracker power off message, else to remain power on. (when PowerOff setting to request SMS reconfirmation)
	888#	Disable alarm	Disable alarm
	2011#	Enable Geo fence 1	In/out Geo fence 1 will be report
	2010#	Disable Geo fence1	Disable Geo fence 1
	2021#	Enable Geo fence 2	In/out Geo fence 2 will be report
	2020#	Disable Geo fence2	Disable Geo fence 2
	2031#	Set Geo fence 3	In/out Geo fence will be report
	2030#	Cancel Geo fence3	Cancel Geo fence 3
	2041#	Set Geo fence 4	out Geo fence 4 will be report every 1 minute through SMS
	2040#	Cancel Geo fence 4	Cancel Geo fence 4
	211*xx#	Setting Periodical Report	Start periodical report function, xx for time interval; 01~99 GPS Tracker report interval from 1minutes to 99 minutes.
	210#	Turn Periodical Report function off	Disable periodical report function
	2211#	Report On Time 1 Enable	Enable Report On Time 1
	2210#	Report On Time 1 Disable	Disable Report On Time 1
	2221#	Report On Time 2 Enable	Enable Report On Time 2
	2220#	Report On Time 2 Disable	Disable Report On Time 2
	2231#	Report On Time 3 Enable	Enable Report On Time 3
	2230#	Report On Time 3 Disable	Disable Report On Time 3
	221*hhmm#	Setting Report On Time	Setting report on time function , 24hrs, hh for hours, mm for minutes Send SMS to authorized user on pre-set time
	220#	Cancel Report On Time function	Cancel Report on time function



	251*xxxx#	Setting Speed dial No.1	Setting your No. to be Emergency Contact No.1. XXXX stands for Password. A SMS will be sent when setting successful
	252*zzzzzzzzzz#	Setting Speed dial No.2	Setting the No. zzzzzzzzzz to be Emergency Contact NO.2. A SMS will be sent when setting successful
	253*zzzzzzzzzz#	Setting Speed dial No.3	Setting the No. zzzzzzzzzz to be Emergency Contact NO.3.A SMS will be sent when setting successful
	260*xxxx*aaaa#	Password changing	Changing original password from xxxx to aaaa
	270#	Service Center Disable	
	271#	Service Center Enable	
	901#	Turn to Personal Tracker mode	Geo fence 4 radius:300 meters Turn on by 2041# or double click power key Turn off by 2040# or double click power key
	902#	Turn to Car mode	Geo fence 4 :Vibration alert Turn on by 2041# or double click power key Turn off by 2040# or double click power key
Call	9#(call only)	Voice call	After dial, press"9#" switch to voice call function, ringtone or Vibrating alert to inform user of GPS Tracker, press any key except SOS and power to pick up

Chapter 7 Q&A

1 · Why I can't turn on GPS Tracker? Why the LED indicator of GSM is always in red, and can't turn in green?

A: Please check your SIM card, if it is properly installed. Some SIM cards from operators need to unlock before using them. Use a cell-phone to manage un-lock the pin-code, save the configuration. And then put it back to GPS Tracker and the SIM card should work this time.

2 · Why I didn't get my MMS report after inquiring?

- A :
1. Please make sure that the SIM card used in GPS Tracker registered the MMS service.
 2. Please make sure that the MMS setting in your GPS Tracker is compatible with the setting of your operator.
 3. Please make sure that your mobile support the MMS function.
 4. The data transmission may fail When GPS Tracker or your mobile are in poor signal areas.



3 · Why the GPS can't be fixed, as the GPS Led indicator is always shining in red, not in blue?

A : 1. Please make sure GPS Tracker is in open area ◦

2. It takes around 70s for GPS Tracker to fix position when cold start in an open environment.

3. when start 8-10 hours later after last use, move to out door the position GPS Tracker can fix in about 30-40s.

4. GPS Tracker can't fix the position when inside house.

4 · Why 4 LED lights blinking all the time?

A : 1. Please check the T-card under the battery, if it is properly installed (The T-card is special designed for GPS Tracker, please keep it safe).

2. Please re-install the T-card or handle the machine to local distributor.

5 · When GPS Tracker indoor, how can I know the position of GPS Tracker?

A: When GPS Tracker can't fix position when indoor. But GPS Tracker will save the last fixed position outdoor which is outside of the building and report when request.

6 · Why I kept getting the in/out Geo Fence alerts?

A : When start Geo fence is set indoor or besides window, as the GPS signal is not stable, the position drifting sometimes. Enlarge the radius of the Geo Fence and avoid use in poor signal area.

7 · How to prolong the using hours of GPS Tracker?

A : GPS Tracker has built in G-sensor, GPS will be turned off when GPS Tracker is still to enter power saving mode.

Avoiding use in poor signal areas(GSM/GPS), as searching for signals consume lots energy.

8 · Why all LED lights turned red when power on GPS Tracker?

A: For the first use of GPS Tracker, it takes longer time for system configuration. This is normal, and soon the machine will work normally.

9 · Why there is some position error with GPS Tracker

A : All GPS has some position error, especial under and bad weather condition or environment.(indoor, in car, downtown with high buildings).

Remarks: The User manual maybe updating periodically.Please check the updated version in the memory card of product.